

征和链号 CHOHO Chain No.	节距	滚子 直径	内节 内宽	销轴 直径	销轴 长度	接销 长度	齿形角	附板尺寸							抗拉 强度
	P	d1 max	b1 min	d2 max	L max	Lc max	$\alpha^\circ$	h1	h2	h3	h4	H	T	t	Q min
	mm	mm	mm	mm	mm	mm	/	mm	mm	mm	mm	mm	mm	mm	kN
3322-31010	33	12.7	22.00	5.94	36.40	39.40	70	10.0	13.0	13.0	10.0	33.0	2.42	2.42	19.6
3322-31017	33	12.7	22.00	5.94	36.40	39.40	70	10.0	17.0	17.0	10.0	37.0	2.42	2.42	19.6
3322-63201	33	12.7	22.00	5.94	36.40	39.40	70	10.0	15.0	15.0	10.0	40.0	2.42	2.42	19.6
3325-23160	33	12.8	25.00	5.94	35.50	38.10	60	10.0	13.0	13.0	10.0	43.0	1.6	1.6	19.6
3330-74311	33	12.7	30.00	5.94	44.40	47.40	70	10.0	13.0	13.0	10.0	38.0	2.42	2.42	19.6
3558-48181	35	13	58.00	9.50	70.40	/	90	15.0	18.0	18.0	15.0	48.0	2	2	19.6

GS38链类及附件  
GS38 Chain and Accessories

S型钢制农机链及附件  
S Type Steel Agricultural  
Chains and Accessories

A型钢制农机链及附件  
A Type Steel Agricultural  
Chains and Accessories

C/A型钢制农机链及附件  
C/A Type Steel Agricultural  
Chains and Accessories

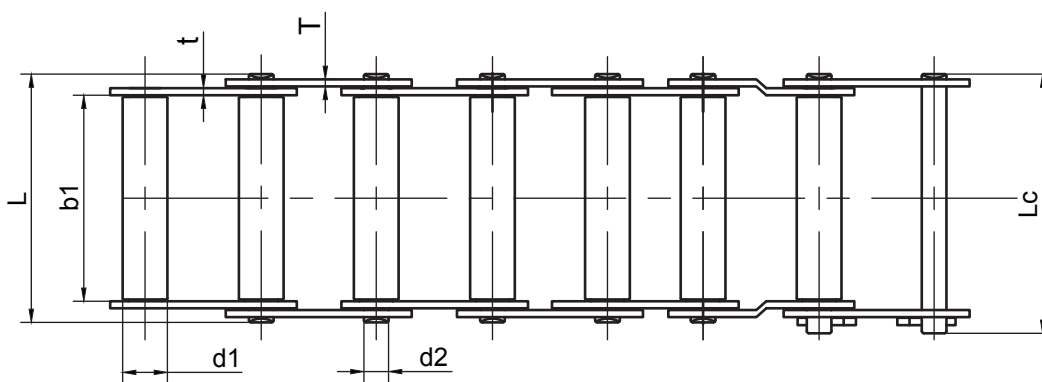
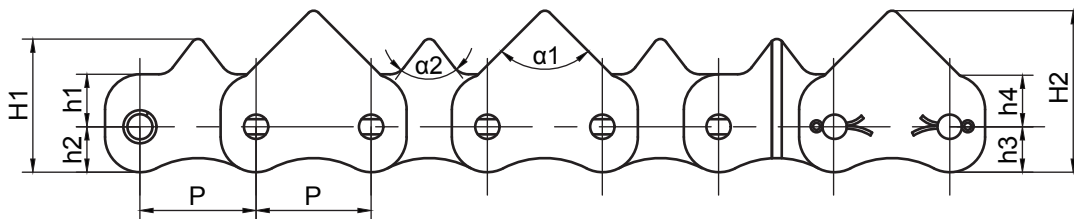
水稻收割机链  
Rice harvester Chains

夹持链  
Clamping Chains

其他农机链及附件  
Other Agricultural Chains  
and Accessories

传动链  
Driving Chains

# 夹持链 Clamping Chains



征和链号 CHOHO Chain No.	节距	滚子直径	内节内宽	销轴直径	销轴长度	接销长度	齿形角	附板尺寸								抗拉强度
	P	d1 max	b1 min	d2 max	L max	Lc max	$\alpha1/\alpha2^\circ$	h1	h2	H1	h3	h4	H2	T	t	Q min
	mm	mm	mm	mm	mm	mm	/	mm	mm	mm	mm	mm	mm	mm	mm	kN
3358-5K151	33	12.75	58.00	7.00	70.25	73.60	90/70	15.0	13.0	38.0	13.0	15.0	46.0	2	2	19.6
3358T-5K151	33	12.8	58.00	9.50	70.40	73.00	90/75	15.0	13.0	38.0	13.0	15.0	46.0	2	1.6	19.6

GS38 链条及配件  
GS38 Chain and Accessories

S 型钢制农机链及配件  
S type Steel Agricultural  
Chains and Accessories

A 型钢制农机链及配件  
A type Steel Agricultural  
Chains and Accessories

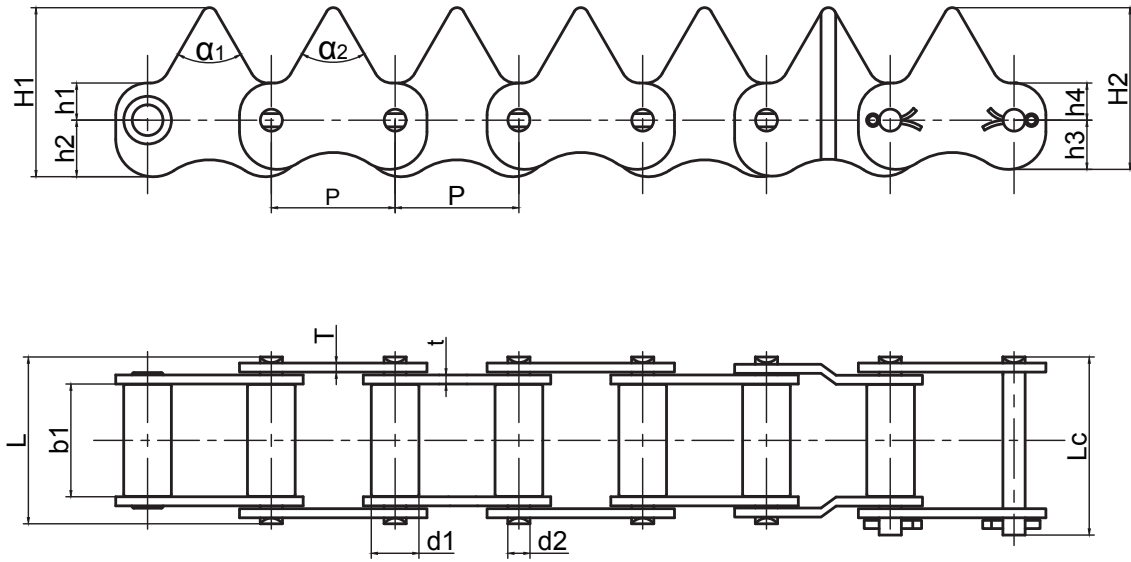
C/C/A 型钢制农机链及配件  
C/C/A type Steel Agricultural  
Chains and Accessories

水稻收割机链  
Rice harvester Chains

夹持链  
Clamping Chains

其他农机链及配件  
Other Agricultural Chains  
and Accessories

传动链  
Driving Chains



征和链号 CHOHO Chain No.	节距	滚子直径	内节内宽	销轴直径	销轴长度	接销长度	齿形角	附板尺寸								抗拉强度
	P	d1 max	b1 min	d2 max	L max	Lc max	$\alpha_1/\alpha_2^\circ$	h1	h2	H1	h3	h4	H2	T	t	Q min
	mm	mm	mm	mm	mm	mm	/	mm	mm	mm	mm	mm	mm	mm	mm	kN
3330-66401	33	12.7	30.00	5.94	44.40	47.40	60	10.0	15.0	45.0	13.0	10.0	43.0	2.42	2.42	19.6

GS38 链条及附件  
GS38 Chain and Accessories

S 型钢制农机链及附件  
S Type Steel Agricultural  
Chains and Accessories

A 型钢制农机链及附件  
A Type Steel Agricultural  
Chains and Accessories

C/A 型钢制农机链及附件  
C/A Type Steel Agricultural  
Chains and Accessories

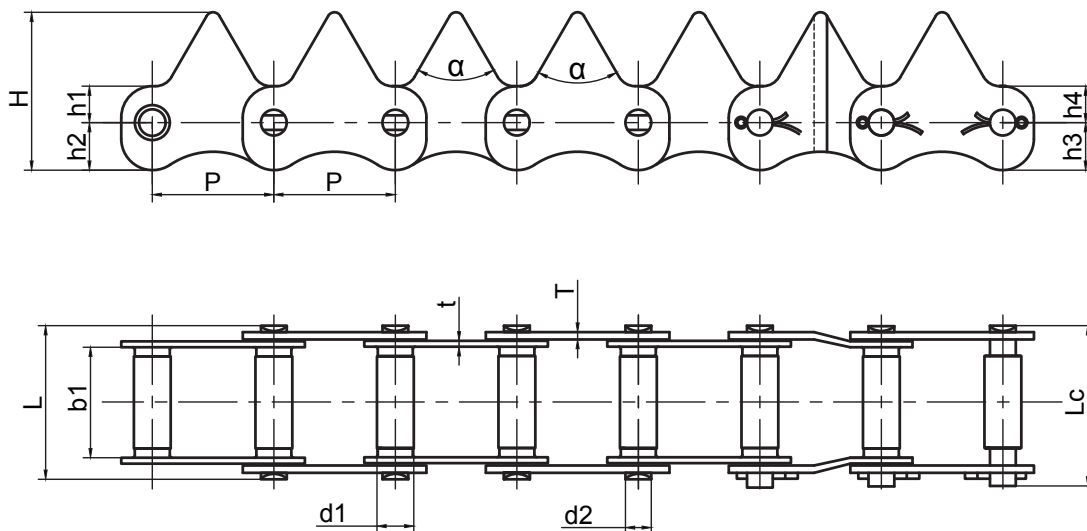
水稻收割机链  
Rice harvester Chains

夹链  
Clamping Chains

其他农机链及附件  
Other Agricultural Chains  
and Accessories

传动链  
Driving Chains

# 夹持链 Clamping Chains



征和链号 CHOHO Chain No.	节距	滚子 直径	内节 内宽	销轴 直径	销轴 长度	接销 长度	齿形角	附板尺寸							抗拉 强度
	P	d1 max	b1 min	d2 max	L max	Lc max	$\alpha^\circ$	h1	h2	h3	h4	H	T	t	Q min
	mm	mm	mm	mm	mm	mm	/	mm	mm	mm	mm	mm	mm	mm	kN
3322T	33	10.1	22.00	7.00	33.50	36.70	70	10.0	13.0	13.0	10.0	38.0	2	1.6	19.6
3330T	33	10.1	30.00	7.00	41.70	43.50	60	10.0	13.0	13.0	10.0	43.0	2	1.6	19.6

GS38 链条及配件  
GS38 Chain and Accessories

S 型钢制农机链及配件  
S type Steel Agricultural  
Chains and Accessories

A 型钢制农机链及配件  
A type Steel Agricultural  
Chains and Accessories

CCA 型钢制农机链及配件  
CCA type Steel Agricultural  
Chains and Accessories

水稻收割机链  
Rice harvester Chains

夹持链  
Clamping Chains

其他农机链及配件  
Other Agricultural Chains  
and Accessories

传动链  
Driving Chains