



1999年-至今 持续通过
ISO9001质量体系认证



2018年 获得
CNAS实验室认可证书

CHOHO 征和

行业首家A股上市公司
证券代码 003033

征和链系统技术领导者
Choho, Chain Transmission Technology Leader



制造厂商: 青岛征和工业股份有限公司
地 址: 中国青岛平度市香港路112号
电 话: 0532-88309788
<http://www.chohogroup.com/chain/>

QINGDAO CHOHO INDUSTRIAL CO.,LTD.
Add: No.112 Hongkong Road,Pingdu, Qingdao City, 266700 China.
Tel / Fax: +86-0532-88309788 E-mail:info@chohogroup.com
<http://www.chohogroup.com/chain/>



征和官方公众号

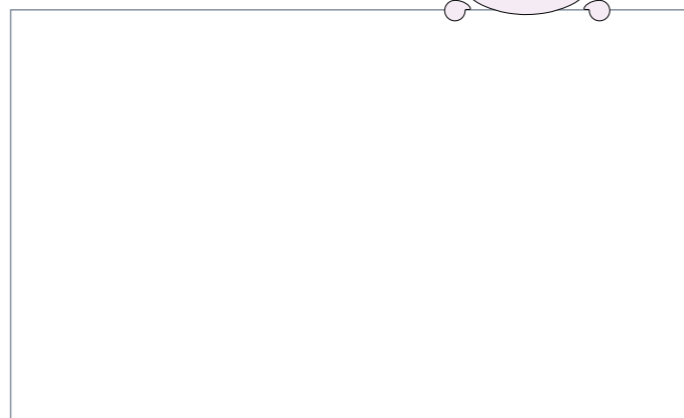


征和官网



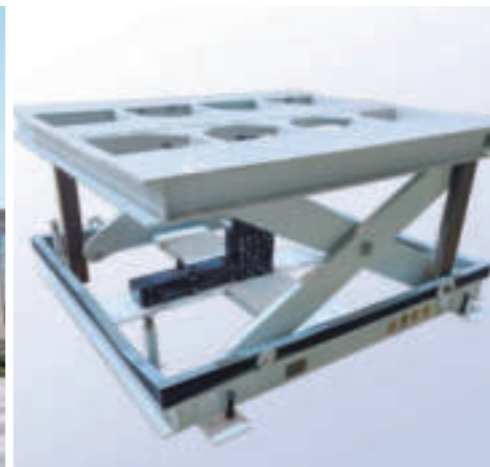
征和官方抖音

Your sales representative



链式智能装备

CHAIN TYPE INTELLIGENT EQUIPMENT



青岛征和工业股份有限公司
Qingdao CHOHO Industrial Co., Ltd

征和 - 链系统技术领导者

青岛征和工业股份有限公司，创立于 1987 年。创建以来，公司始终保持高速、健康的发展。目前，征和已成为中国链传动行业首家 A 股上市公司，国家认定企业技术中心，国家制造业单项冠军示范企业，国家技术创新示范企业，国家高新技术企业和工信部专精特新“小巨人”企业，并成为 CMCA 中国链传动分会理事长单位，国家博士后科研工作站。在工业自动化链传动系统、链式智能装备、车辆链系统、农业机械链系统、发动机链系统等领域，征和已成为行业领军企业。截至 2023 年，征和工业链系统产品为 BYD、宁德时代、大疆、昆船、北起院、顺丰、中通、海尔等上百家知名厂家配套。农机链系统产品为 CLAAS、潍柴雷沃、爱科、迪尔、巨明等行业知名厂家配套；车辆链系统已为本田、铃木、雅马哈、宝马、比亚乔、德国克诺尔、吉利和江铃福特等五十多家企业提供产品和技术服务。

目前，征和公司主导产品已达国际先进水平，承担多项国家级重大科研项目，并制修定了 24 项国家及行业标准，获得 230 余项国家发明和新型专利，为行业的技术进步起到了引领和指导作用。

CHOHO, Chain Transmission Technology Leader

Qingdao CHOHO industrial Co., Ltd., was founded in 1987. Since its establishment, the company has maintained high-speed healthy development. At present, CHOHO has become the first A-share listed company in the Chinese chain transmission industry, the national certified enterprise technology center, the national manufacturing individual champion demonstration enterprise, the national technology innovation demonstration enterprise, the national high-tech enterprise, and The Ministry of Industry and Information Technology recognized new, specialized "Little Giant" enterprises, and became the chairman unit of CMCA China Chain Drive Branch, the national postdoctoral research Station. CHOHO has become the industry leader in industrial automation chain systems, chain type intelligent equipment, vehicle chain systems, agricultural machinery chain systems, engine chain systems and other fields. Till 2023, CHOHO's industrial automation chain system products have supported over 100 well-known manufacturers such as BYD, CATL, DJI, CSSC, BMHRI, SF-express, ZTO-express, Haier and others. The agricultural machinery chain system supports well-known manufactures in CLAAS, LOVOL, AGCO, DEERE, GIMIG, GOLDDAFENG, YHMAC, and many others. The vehicle chain system has provided products and technical services to more than 50 enterprises, including Honda, Suzuki, Yamaha, BMW, Piaggio, KNORR-BREMSE, Geely, and Jiangling Ford.

Now, CHOHO's leading product has advanced international level. CHOHO is responsible for several nationally significant research and development projects, has amended 24 national and industrial standard, and obtained more than 230 national invention and new model patents. CHOHO has performed the role of leading and instructing in the technology development of this industry.



2017 年获得行业首批国家技术创新示范企业
2017 The First Batch of National Technology Innovation Demonstration Enterprise



2021 年获得国家制造业单项冠军示范企业
2021 The National Manufacturing Individual Champion Demonstration Enterprise

荣誉及认证
Honors and Certifications

- | | |
|-------------------|--|
| 国家认定企业技术中心 | The National Certified Enterprise Technology Center |
| 国家技术创新示范企业 | The National Technology Innovation Demonstration Enterprise |
| 国家高新技术企业 | The National High-tech Enterprise |
| 国家制造业单项冠军示范企业 | The National Manufacturing Individual Champion Demonstration Enterprise |
| 国家工信部专精特新“小巨人”企业 | The Ministry of Industry and Information Technology Recognized New, Specialized "Little Giant" Enterprises |
| 国家级博士后科研工作站 | National Postdoctoral Research Station |
| 首届中国机械工业优质品牌 | First-session China Machinery Industry Excellent Brand |
| 山东省工程研究中心 | Shandong Engineering Research Center |
| 首届青岛市市长质量奖 | First-session Qingdao Mayor Quality Award |
| CMCA 链传动分会理事长单位 | CMCA Chain Drive Branch President Enterprise |
| 中国农业机械零部件（链条）龙头企业 | China Agricultural Machinery Industry Association Components Leading Enterprises |
| 中国链传动行业重点出口基地 | The Key Export Base of Chain Drive Industry in China |

- | | |
|---|---|
| 1999 年，通过法国 BVQI ISO9002 质量体系认证 | 1999, passed the French BVQI ISO9002 quality management system certification |
| 2003 年，通过挪威 DNV ISO9001 质量体系认证 | 2003, passed the Norwegian DNV ISO9001 quality management system certification |
| 2007 年，通过 TS16949 质量管理体系认证 | 2007, passed TS16949 quality management system certification |
| 2009-2015 年，通过德国 TUV 莱茵 ISO9001:2008 质量体系认证 | 2009-2015, passed the German TUV Rhein ISO9001:2008 quality certification |
| 2009-2018 年，通过德国 TUV 莱茵 TS16949:2009 质量体系认证 | 2009-2018, passed the German TUV Rhine TS16949:2009 quality certification |
| 2015 年，通过山东世通 ISO9001:2008 质量体系认证 | 2015, passed the Shandong Shitong ISO9001:2008 quality system certification |
| 2018 年，通过山东世通 ISO9001:2015 质量体系认证 | 2018, passed the Shandong Shitong ISO9001:2015 quality system certification |
| 2018 年，通过德国 TUV 莱茵 IATF16949:2016 质量体系认证 | 2018, passed the TUV Rhein IATF16949:2016 quality management certification |
| 2018 年，获得 CNAS 实验室认可证书 | 2018, obtained CNAS laboratory accreditation certificate |
| 2021 年，通过德国 TUV 莱茵 ISO9001:2015 质量体系认证 | 2021, passed the TUV Rhein ISO9001:2015 quality management system certification |
| 2022 年，通过 ISO14001:2015 环境管理体系认证 | 2022, passed ISO14001:2015 Environmental management system certification |
| 2022 年，通过 ISO45001:2018 职业健康安全管理体系认证 | 2022, passed the ISO45001:2018 Occupational Health and safety certification |
| 2023 年，通过山东世通产品碳足迹认证 | 2023, passed the Shandong Shitong product carbon footprint certification |

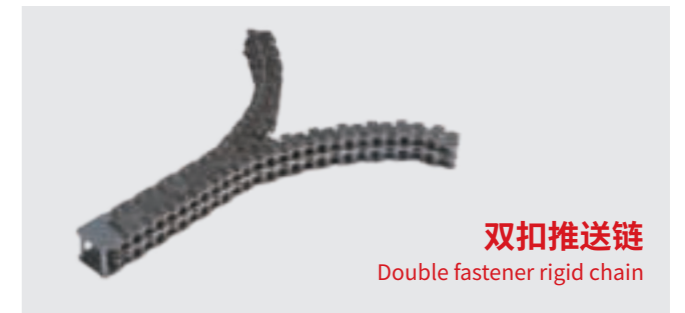
? 征和推送链条 CHOHO Rigid Chain

推送链条又称刚性链条，是一种“刚柔并济”的链条，它既可以像普通链条一样进行卷曲折叠，又可以像千斤顶一样承受压力。相对于齿轮齿条，推送链可以卷曲贮存，提高空间利用率；推送链在某个方向可以呈现刚性，在长行程直线推拉的工况下更具优势。因其独特的优点，国内外十分重视推送链的开发与使用，目前推送链已被开发成了一种工业化的传动器件——直线传动装置。征和工业自主研发的刚性链条及装置、设备，具备完整的生产、销售及售后体系，八大优势加持，性能可靠，品质保证，可以为客户提供针对性的解决方案和定制化的服务。

Push chain, also known as rigid chain, is a "rigid and flexible" chain, which can be rolled and folded like an ordinary chain, and can withstand pressure like a jack. Compared with rack and pinion, push chain can be crimped and stored to improve space utilization. The push chain can be rigid in a certain direction, which is more advantageous in the condition of long linear push and pull. Because of its unique advantages, the development and use of push chain is attached great importance at home and abroad, and the push chain has been developed into an industrial transmission device - linear transmission device. The rigid chain and devices and equipment independently developed by CHOHO, with a complete production, sales and after-sales system, eight advantages, reliable performance, quality assurance, can provide customers with targeted solutions and customized services.



征和推送链条 CHOHO Rigid Chain



单链结构分为 2 类，分别为举升推送链和平推推送链。举升推送链做上下运动，主要起升降作用；平推推送链做水平运动，主要起推拉作用。

The single-chain structure is divided into lifting push chain and horizontal push rigid chain. Lifting rigid chain to do up and down movement, mainly plays a lifting role; Horizontal push rigid chain to do horizontal movement, mainly to push and pull.

双链结构又称“双扣啮合推送链”，它由两条链条组成，两条链条像拉链一样，啮合时形成一条坚固的柱体，分开时各自为柔性体，可卷曲收起。

Double chain structure is also known as "double buckle mesh push chain", it is composed of two chains, two chains like zippers, mesh to form a solid cylinder, separate when they are flexible, can be curled up.

征和推送链装置 CHOHO Rigid Chain Device

平推推送链传动装置
Horizontal push chain drives

装置组成 Device Composition
平推链 + 驱动箱 + 链条箱
驱动箱连接电机，控制平推链精准推送
Horizontal push chain + drive box + chain box
The drive box is connected with the motor to control the precise push of the flat push chain

装置应用 Device Application
各种生产线的快速换模、物流推送、舞台移动、导弹推送、大型设备横移等
Quick mold change for various production lines, logistics push, stage movement, missile push, large equipment horizontal movement, etc.

双扣推送链传动装置
Double fastener chain drives

装置组成 Device Composition
双扣链条 + 驱动箱 + 链条箱
驱动箱连接电机，控制双扣链精准升降
Double fastener chain + drive box + chain box
The drive box is connected with the motor to control the precise lifting of the double fastener chain

装置应用 Device Application
升降台、物流自动化生产线、分拣装置
平移装置、炉门开关装置、升降机等
Lifting platform, logistics automatic production line, sorting device, translation device, furnace door switch device, elevator, etc.

举升推送链传动装置
Lifting chain drives

装置组成 Device Composition
举升链 + 驱动箱 + 链条箱
驱动箱连接电机，控制推送链精准升降
Lifting chain + drive box + chain box
The drive box is connected with the motor to control the precise lifting of the pushing chain

装置应用 Device Application
升降台、物流自动化生产线、集装箱运输、码垛、伸缩式桅杆、轨道式推车
舞台机械、升降机等
Lifting platform, logistics automation production line, container transport, palletizing, telescopic mast, rail trolley, stage machinery, lifts, etc.



链式智能装备 Chain Type Intelligent Equipment

推送链升降平台 Rigid chain lifter

设备型号 Equipment Type :

RCL0300H10T-2

行程 Max Stroke :

1000 mm

最大载荷 Maximum Load :

300 KG

最大速度 Maximum Speed :

18 m/min

起始高度 Initial Height :

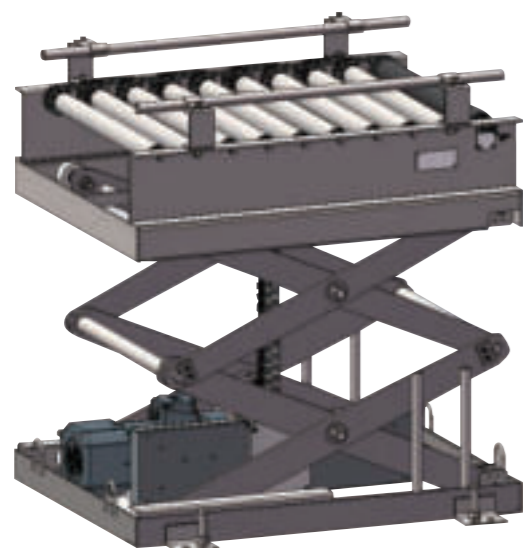
600 mm

所用装置 Device Used :

双扣推送链装置 Double fastener chain device

装置型号 Device Type :

ZGXSC12-3-1000



推送链升降平台 Rigid chain lifter

设备型号 Equipment Type :

RCL2000M08T-0

行程 Max Stroke :

800 mm

最大载荷 Maximum Load :

2000 KG

最大速度 Maximum Speed :

10 m/min

起始高度 Initial Height :

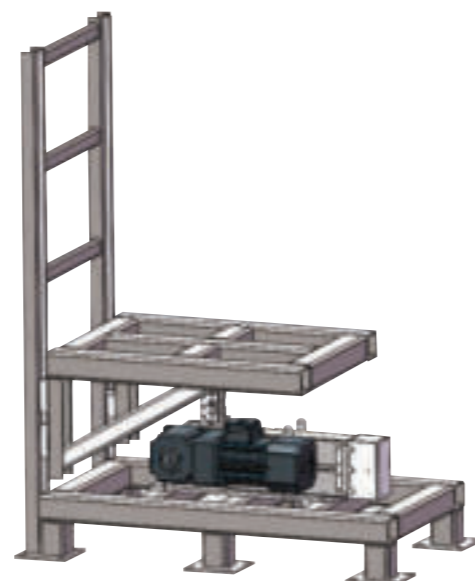
520 mm

所用装置 Device Used :

举升推送链装置 Lifting chain device

装置型号 Device Type :

ZGXDD30-1-800



链式智能装备 Chain Type Intelligent Equipment

平推链推送装备 Rigid chain push equipment

设备型号 Equipment Type :

RCD0030H16S

行程 Max Stroke :

1610 mm

最大载荷 Maximum Load :

30 KG

最大速度 Maximum Speed :

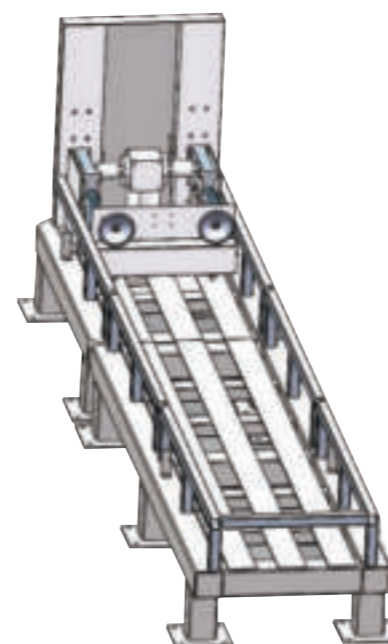
1 m/s

所用装置 Device Used :

平推推送链装置 Rigid chain push device

装置型号 Device Type :

ZGXDC06-1-1610



双扣链提升装备 Double fastener chain lifter

设备型号 Equipment Type :

RCD0060H50S

行程 Max Stroke :

5000 mm

最大载荷 Maximum Load :

60 KG

最大速度 Maximum Speed :

1 m/s

所用装置 Device Used :

双扣推送链装置 Double fastener chain device

装置型号 Device Type :

ZGXSF06-2-5000

